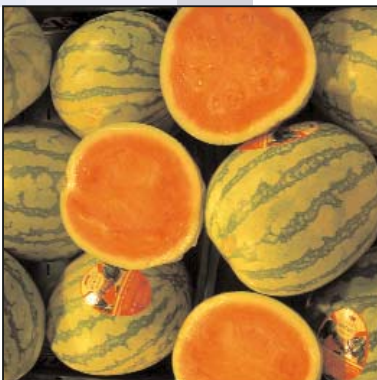


FOCUS ON

ID 985/S/E/CK



Electronic controller for ventilated refrigeration units with on board integrated RS-485 serial port

The ID985/S/E/CK is a compact electronic controller, optimised for supermarkets refrigeration systems, equipped with on board integrated RS-485, remote display (ECHO) and switching power supply. The controller guarantees the quality and safe preservation of fresh and frozen foods, ensuring best performance of the refrigeration system and helping with energy saving.

The standard Eliwell size 32x74mm offers absolute adaptability.

Features

- Universal power supply 12...24V~ 12...36V~/= and 95...240V~;
- Connection to Televis remote management system via RS-485 serial;
- RTC - Real Time Clock;
- Link network for management of web functions;
- Fast and easy installation;
- IP65 certification, for places with high degree of pollution.

COMMERCIAL REFRIGERATION



GB

Nr. 48 - October 2006

eliwell

Invensys Controls Europe
An Invensys Company

Electronic controller for refrigeration units, with on board integrated RS-485 serial port

The new Eliwell **ID 985/S/E/CK** controller is a controller suitable for applications on normal or low temperature ventilated refrigeration units. Connection to a remote display (ECHO) is available.

This connection faithfully repeats the display of the unit's operating temperature and auxiliary signalling shown on the controller. Therefore the temperature read, taken by each of the three probes on the controller can be viewed on the remote display, independent of that shown on the main display.

In order to increase efficiency the **ID 985/S/E/CK** has a regulator which controls the condenser fans. By means of a third probe, the **ID 985/S/E/CK** can also control the defrosting process of a second evaporator. The alarm event is managed by a luminous indicator on the controller front panel and also by a dedicated relay and a buzzer. The presence of two separate configurable digital inputs enables the management of events inside the system. The **ID 985/S/E/CK** controller is also equipped with an internal clock (RTC) for periodical management of defrosts. By means of connection in a network of up to 8 instruments, the Link function enables synchronised management of the various devices, including possible remote displays.

The availability of a TTL type serial port enables use of the accessory for fast Copy Card programming, and the on board integrated RS485 for connection to the TelevisSystem.

The switching power supply makes the **ID 985/S/E/CK** immune to voltage peaks and line overloads, guaranteeing total independence from the mains voltage, high efficiency and energy saving.

Technical Data

Front protection: IP65.

Container: PC+ABS UL94 V-0 resin plastic casing, polycarbonate glass, thermoplastic resin keys.

Dimensions: front 180x37 mm, depth **76** mm (without terminals).

Installation: panel mounting, with drilling template 29x71 mm (+0.2/-0.1 mm).

Operating temperature: -5...55 °C.

Storage temperature: -30...85 °C.

Ambient operating and storage humidity:

10...90% RH (non-condensing).

Display range:

- NTC probe: -50...110°C (-58...230°F);

- PTC probe: -55...140°C (-67...284°F);

without decimal point (selectable by parameter), on display with 3 and a half digits + sign.

Analogue inputs: three PTC or NTC-type inputs (selectable by parameter).

Digital inputs: 2 voltage-free digital inputs .

(voltage-free contact) configurable by parameter.

TTL serial output for Copy Card connection.

RS-485 Serial output for connection to TelevisSystem.

Link: Output for Link network.

Digital outputs: 4 configurable outputs on relay:

- (A) SPDT 5(2)A 1/4 hp 250V~;

- (B) (C) (D) SPST 3A 250V~;

Buzzer output: only in models where provided for.

Measurement range: from -55 to 140 °C.

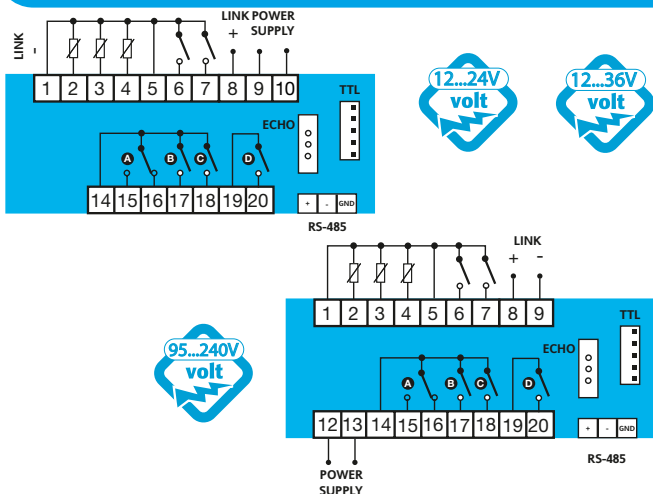
Accuracy: better than 0.5% of full-scale +1 digit.

Resolution: 1 or 0.1 °C.

Consumption: 2.5 W.

Power supply 12...24V~, 12...36V~/~, or 95...240V~.

Wiring diagrams and terminals



TERMINALS

9 - 10 Power supply 12/24V~, 12/36V~/~, ,

12 - 13 Power supply 95/240V~

1 - 2 Thermostat probe input **Pb1**

1 - 3 Evaporator probe input **Pb2**

1 - 4 Display probe input **Pb3**

5 - 6 Digital input **D.I. 1**

5 - 7 Digital input **D.I. 2**

1 - 8 **Link** (models 12/24V~, 12/36V~/~,)

8 - 9 **Link** (model 95/240V~)

A TTL input for Copy Card

RS-485 RS- 485 for connection to TelevisSystem

RELAYS

• (A) 5(2) A SPDT 250V~; • (B) (C) (D) 3A SPST 250V~.

Eliwell Controls s.r.l.

Via dell'Industria, 15 • Zona Industriale Paludi • 32010 Pieve d'Alpago (BL) ITALY

Telephone +39 0437 986 111 • Facsimile +39 0437 989 066

Sales +39 0437 986 100 (Italy) • +39 0437 986 200 (other countries) • E-mail saleseliwell@invensyscontrols.com

Technical helpline +39 0437 986 300 • E-mail techsuppliewell@invensyscontrols.com

www.eliwel.it